

Service  
Service  
**Service**



# Service Manual

AZ1226 is classified as exchange models.  
This manual only gives some diagrams for basic repair  
in some regions.



### TABLE OF CONTENTS

Service Parts List ..... 2

Circuit Diagram

- Power and Tuner part ..... 3
- CD part ..... 4
- MP3 part ..... 5
- Cassette part ..... 6

PCB Layout Diagram

- Bottom view ..... 7
- Top view ..... 8

Revision ..... 9



© Copyright 2005 Philips Consumer Electronics B.V. Eindhoven, The Netherlands  
All rights reserved. No part of this publication may be reproduced, stored in a retrieval  
system or transmitted, in any form or by any means, electronic, mechanical, photocopying,  
or otherwise without the prior permission of Philips.

Published by YT 0518 Service Audio Subject to modification

© 3141 785 30291

Version 1.1

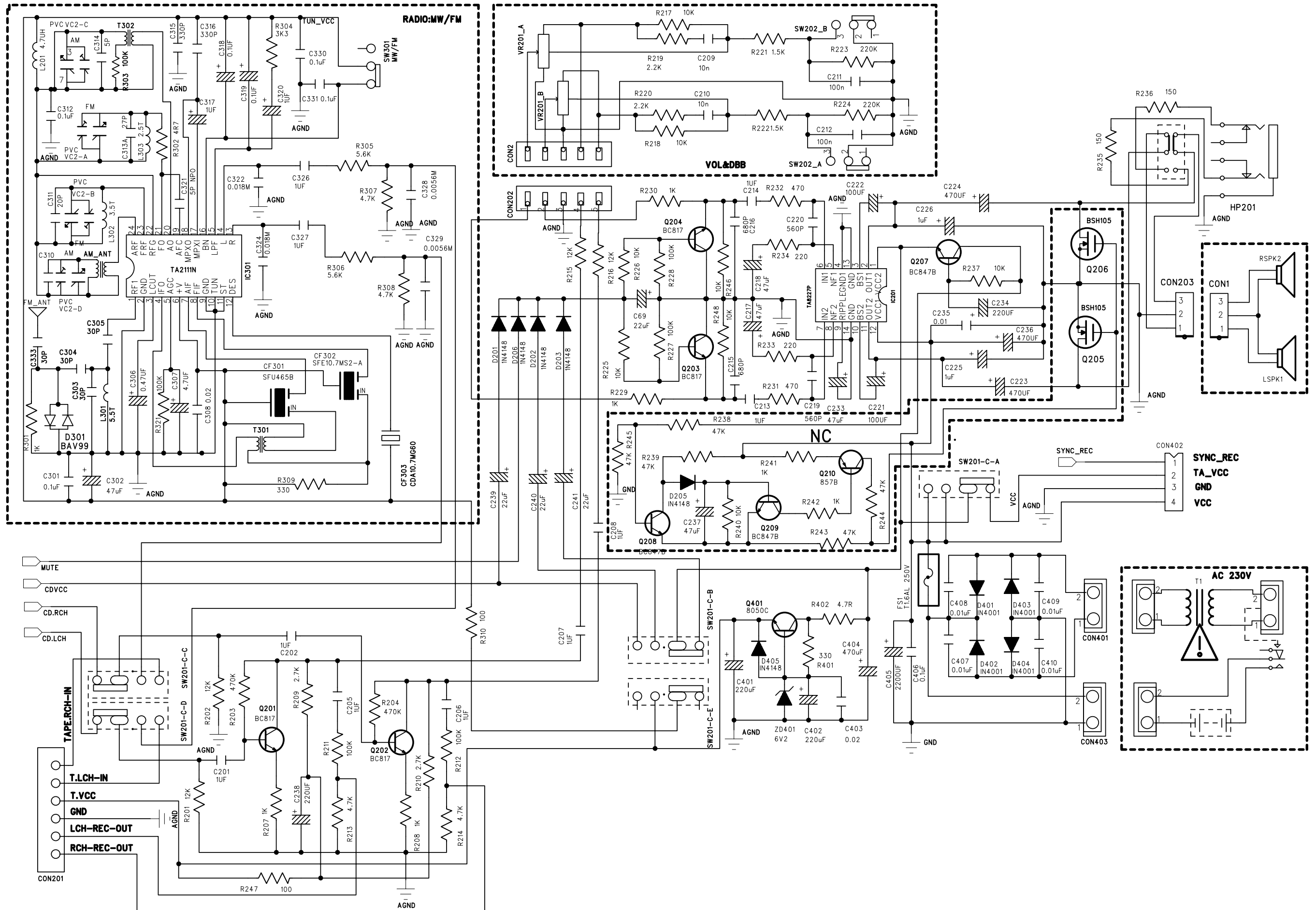


# PHILIPS

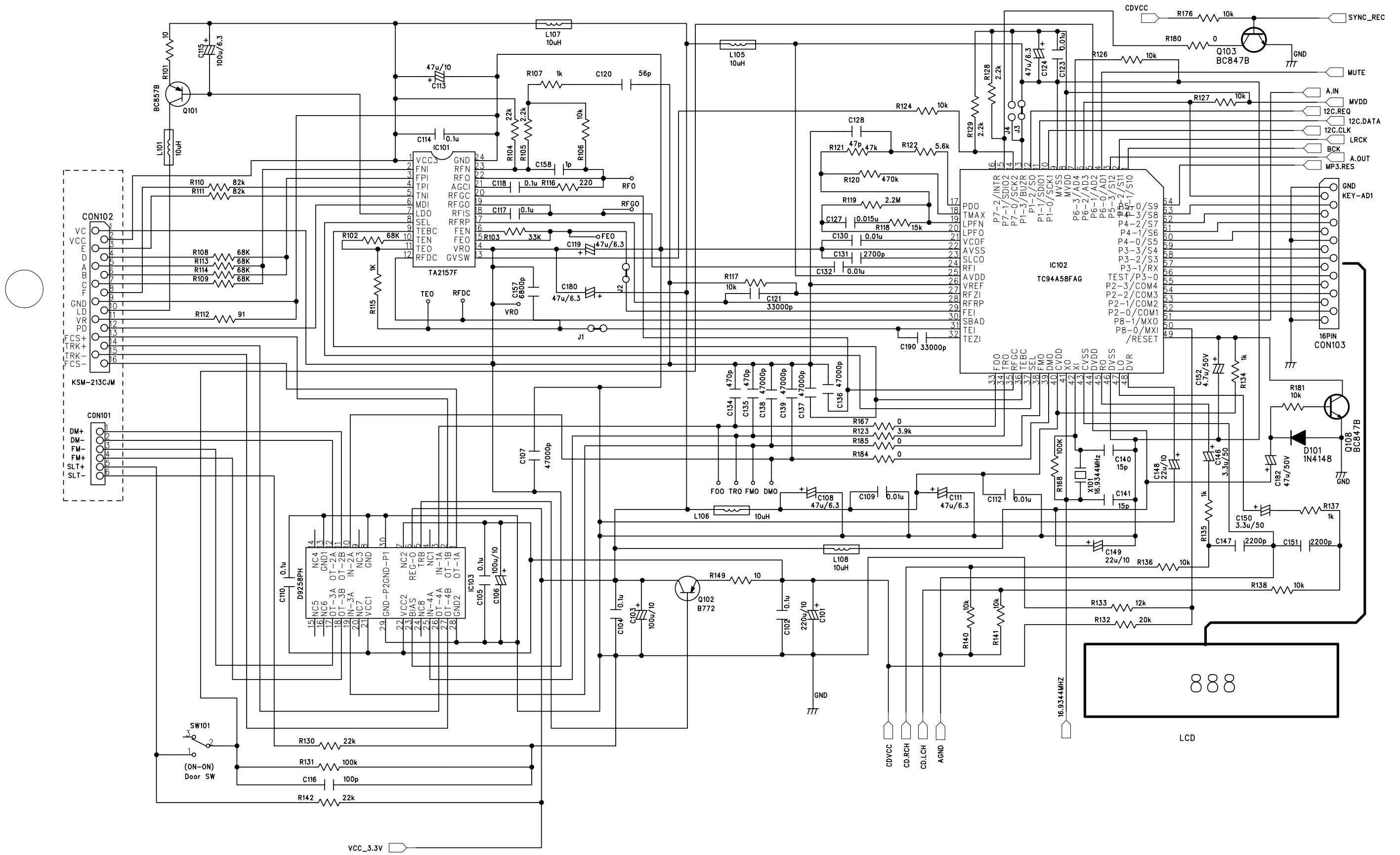
**Service Parts List**

9940 000 01094	ROD ANTENNA 2 SEC L=457MM
9940 000 01095	BATTERY DOOR - AZ1226
9965 000 38888	CD MECHANISM KSM-213CJM
9400 000 01476	CASS DECK CS-21V-230
9400 000 00161	5 FEET VDE POWER CORD BLACK
9965 000 38904	5 FEET CCC APP. POWER CORD (for /93)
9400 000 01477	TRANSFORMER 120/230V 60/50Hz
9965 000 38988	TRANSFORMER 230V 50HZ (for /93)

CIRCUIT DIAGRAM - Power and Tuner Part

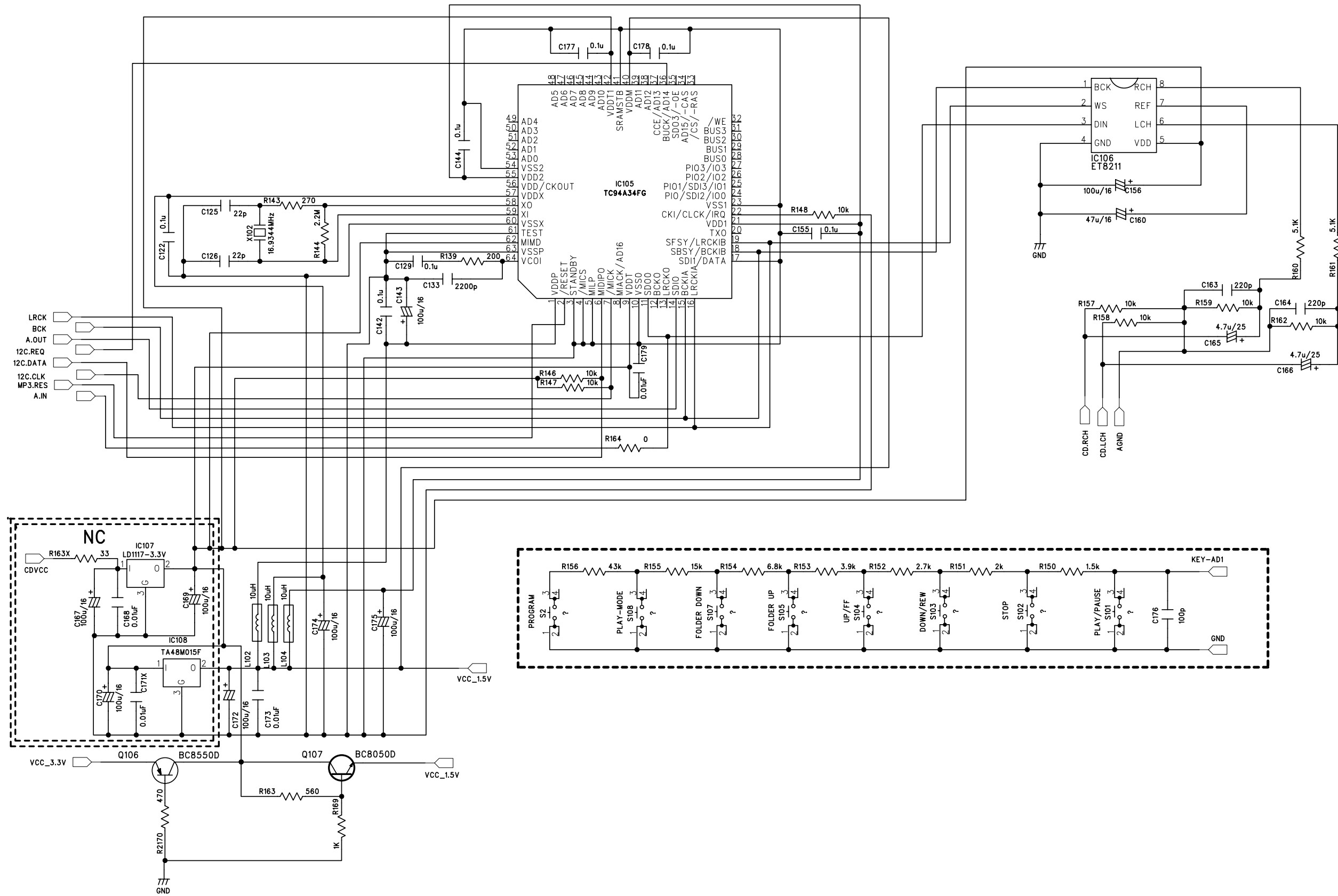


CIRCUIT DIAGRAM - CD Part

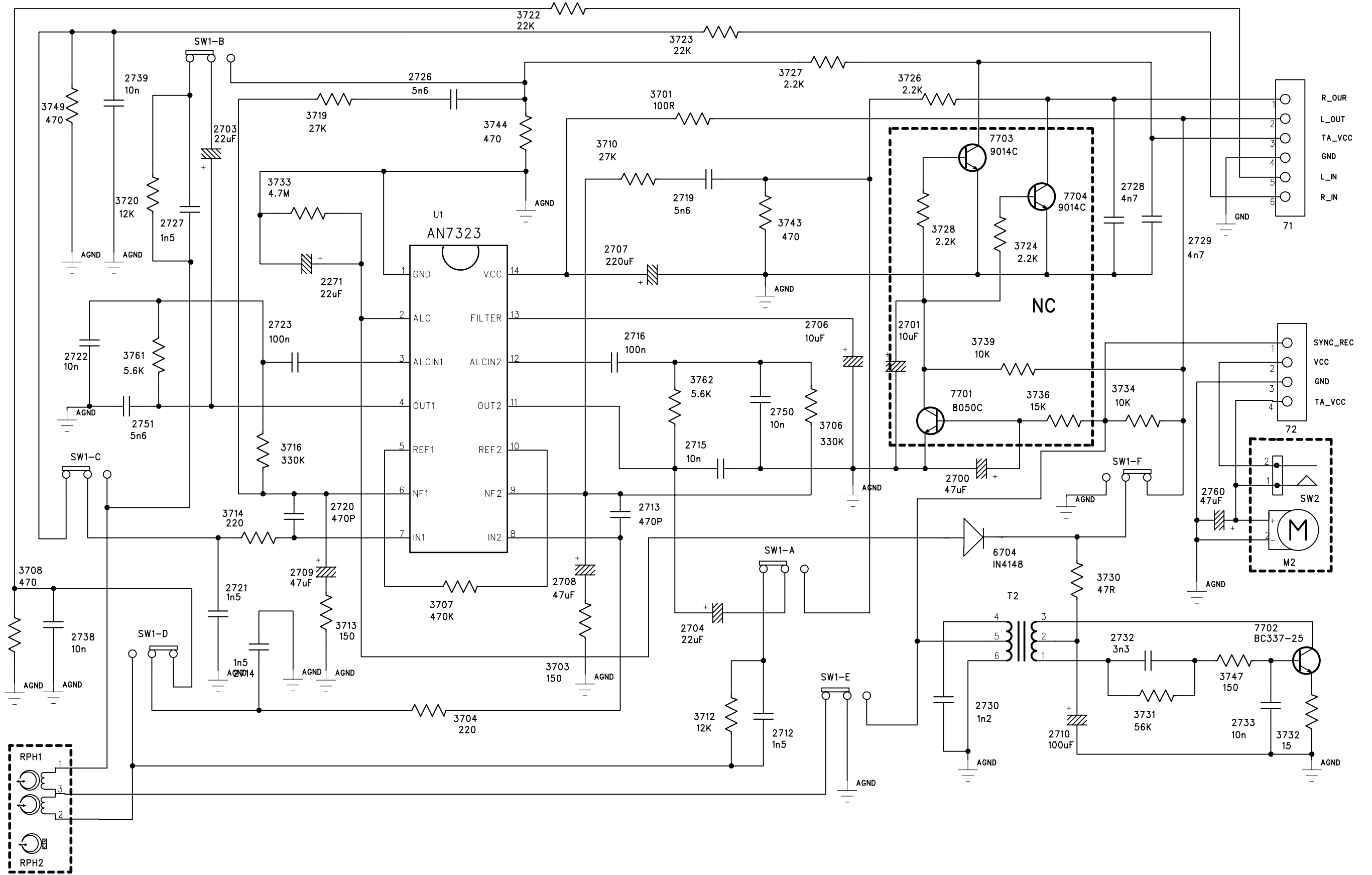




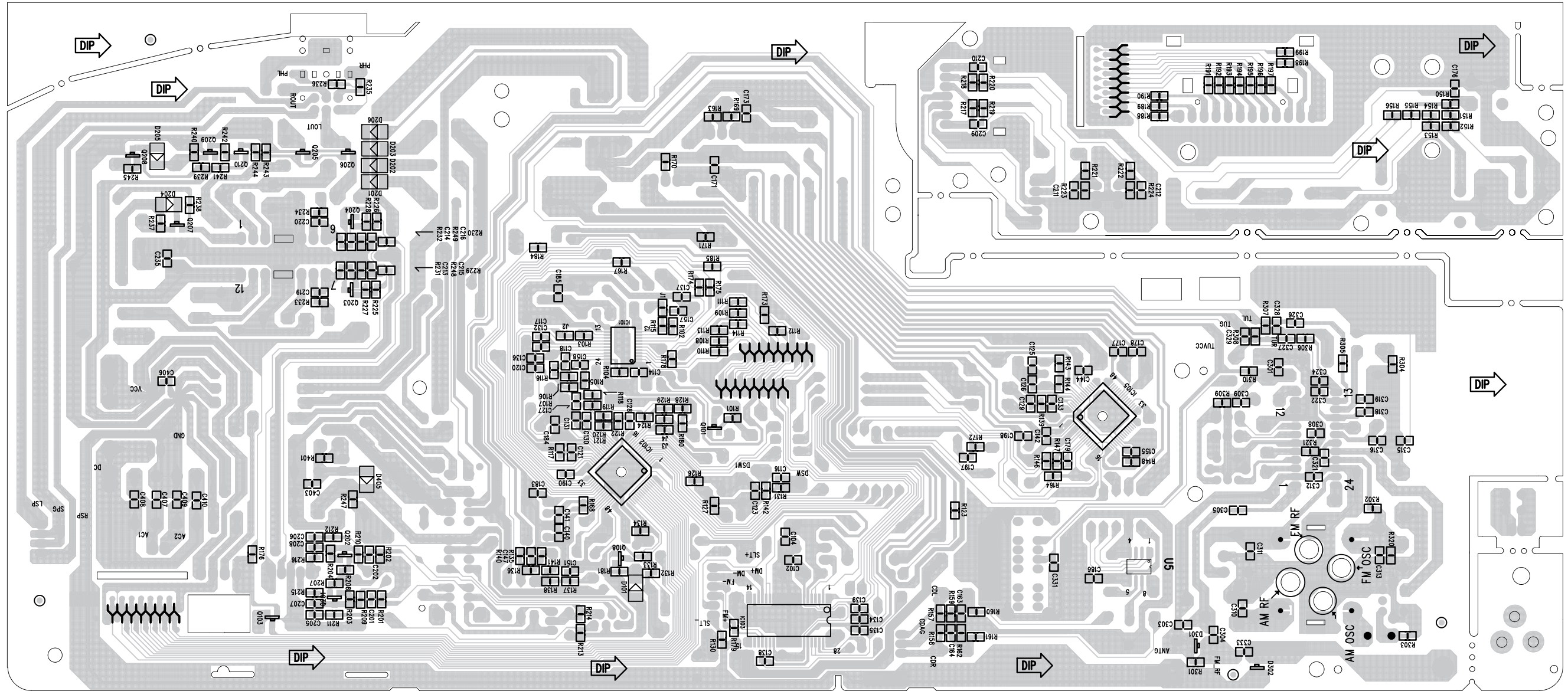
CIRCUIT DIAGRAM - MP3 Part



CIRCUIT DIAGRAM - Cassette Part



PCB LAYOUT DIAGRAM - Main board (Bottom view)







**REVISION LIST**

Version 1.0 (3141 785 30290)

- First issue

Version 1.1 (3141 785 30291)

- Update Service parts List with new version  
AZ1226/93 added.